

2. Specifications

2.1 Specification Sheet

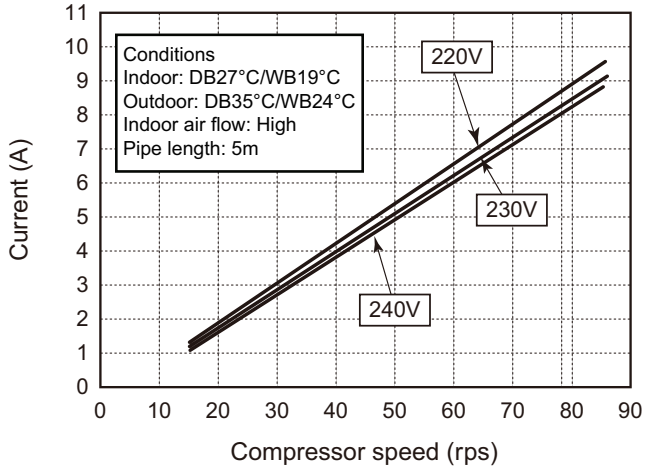
Parameter		Unit	Value	
Model			GWH09ACC-K6DNA1A	GWH09ACC-K6DNA1A
Product Code			CB497003000	CB497003001
Power Supply	Rated Voltage	V~	220-240	220-240
	Rated Frequency	Hz	50	50
	Phases		1	1
Power Supply Mode			Outdoor	Outdoor
Cooling Capacity		W	2700	2700
Heating Capacity		W	3000	3000
Cooling Power Input		W	805	805
Heating Power Input		W	779	779
Cooling Current Input		A	3.8	3.8
Heating Current Input		A	3.5	3.5
Rated Input		W	1500	1500
Rated Current		A	3.8	3.8
Air Flow Volume(SS/H/MH/M/ML/L/SL)		m ³ /h	610/570/540/470/440/420/390	610/570/540/470/440/420/390
Dehumidifying Volume		L/h	0.8	0.8
EER		W/W	3.35	3.35
COP		W/W	3.85	3.85
SEER		W/W	6.8	6.8
SCOP(Average/Warmer/Colder)		W/W	4.1/5.1/3.3	4.1/5.1/3.3
Application Area		m ²	12-18	12-18
Indoor Unit	Indoor Unit Model		GWH09ACC-K6DNA1A/I	GWH09ACC-K6DNA1A/I
	Indoor Unit Product Code		CB497N03000	CB497N03000
	Fan Type		Cross-flow	Cross-flow
	Fan Diameter Length(DXL)		mm	Φ98X633.5
	Cooling Speed(SS/H/MH/M/ML/L/SL)		r/min	1200/1100/1050/950/900/850/800
	Heating Speed(SS/H/MH/M/ML/L/SL)		r/min	1150/1100/1050/1000/950/900/850
	Fan Motor Power Output		W	20
	Fan Motor RLA		A	0.31
	Fan Motor Capacitor		μF	1.5
	Evaporator Form			Aluminum Fin-copper Tube
	Evaporator Pipe Diameter		mm	Φ5
	Evaporator Row-fin Gap		mm	2-1.4
	Evaporator Coil Length (LXDXW)		mm	635X22.8X306.3
	Swing Motor Model			MP24BA
	Swing Motor Power Output		W	1.5
	Fuse Current		A	3.15
	Sound Pressure Level(SS/H/MH/M/ML/L/SL)		dB (A)	40/37/35/32/30/28/26
	Sound Power Level(SS/H/MH/M/ML/L/SL)		dB (A)	54/48/46/44/41/35/33
	Dimension (WXHXD)		mm	889X294X212
	Dimension of Carton Box (LXWXH)		mm	935X349X273
	Dimension of Package(LXWXH)		mm	940X365X284
Net Weight		kg	11	
Gross Weight		kg	13	

Outdoor Unit	Outdoor Unit Model		GWH09ACC-K6DNA1A/O	GWH09ACC-K6DNA1A/O
	Outdoor Unit Product Code		CB497W03000	CB497W03001
	Compressor Manufacturer		ZHUHAI LANDA COMPRESSOR CO., LTD	ZHUHAI LANDA COMPRESSOR CO., LTD
	Compressor Model		QXF-A079zE190A	QXF-A079zE190A
	Compressor Oil		FW68DA	FW68DA
	Compressor Type		Rotary	Rotary
	Compressor LRA	A	/	/
	Compressor RLA	A	4.6	4.6
	Compressor Power Input	W	790	790
	Compressor Overload Protector		HPC115/95U1/KSD115°C	HPC115/95U1/KSD115°C
	Throttling Method		Capillary	Capillary
	Set Temperature Range	°C	16~30	16~30
	Cooling Operation Ambient Temperature Range	°C	-15~43	-15~43
	Heating Operation Ambient Temperature Range	°C	-22~24	-15~24
	Condenser Form		Aluminum Fin-copper Tube	Aluminum Fin-copper Tube
	Condenser Pipe Diameter	mm	Φ7	Φ7
	Condenser Rows-fin Gap	mm	1-1.4	1-1.4
	Condenser Coil Length (LXDXW)	mm	710X19.05X508	710X19.05X508
	Fan Motor Speed	rpm	900	900
	Fan Motor Power Output	W	30	30
	Fan Motor RLA	A	0.36	0.36
	Fan Motor Capacitor	μF	/	/
	Outdoor Unit Air Flow Volume	m ³ /h	1600	1600
	Fan Type		Axial-flow	Axial-flow
	Fan Diameter	mm	Φ400	Φ400
	Defrosting Method		Automatic Defrosting	Automatic Defrosting
	Climate Type		T1	T1
	Isolation		I	I
	Moisture Protection		IPX4	IPX4
	Permissible Excessive Operating Pressure for the Discharge Side	MPa	4.3	4.3
	Permissible Excessive Operating Pressure for the Suction Side	MPa	2.5	2.5
	Sound Pressure Level (H/M/L)	dB (A)	50/-/-	50/-/-
	Sound Power Level (H/M/L)	dB (A)	61/-/-	61/-/-
Dimension(WXHXD)	mm	782X540X320	782X540X320	
Dimension of Carton Box (LXWXH)	mm	820X355X580	820X355X580	
Dimension of Package(LXWXH)	mm	823X358X595	823X358X595	
Net Weight	kg	27.5	27.5	
Gross Weight	kg	30	30	
Refrigerant		R32	R32	
Refrigerant Charge	kg	0.55	0.55	
Connection Pipe	Connection Pipe Length	m	5	5
	Connection Pipe Gas Additional Charge	g/m	16	16
	Outer Diameter Liquid Pipe	mm	Φ6	Φ6
	Outer Diameter Gas Pipe	mm	Φ9.52	Φ9.52
	Max Distance Height	m	10	10
	Max Distance Length	m	15	15
Note: The connection pipe applies metric diameter.				

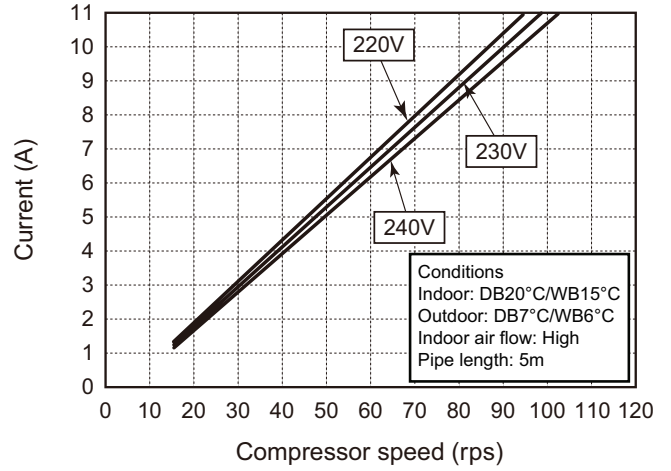
The above data is subject to change without notice. Please refer to the nameplate of the unit.

2.2 Operation Characteristic Curve

Cooling



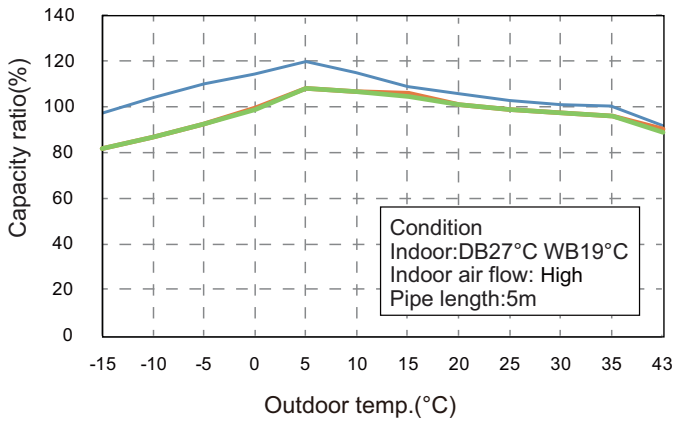
Heating



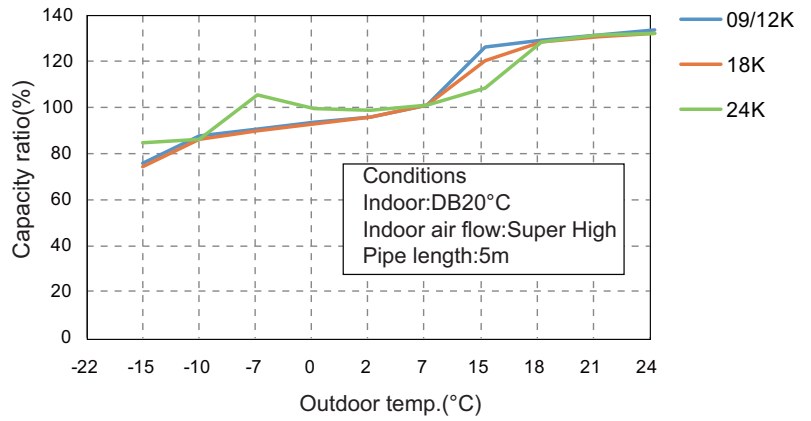
2.3 Capacity Variation Ratio According to Temperature

Heating operation ambient temperature range is -15°C~24°C

Cooling

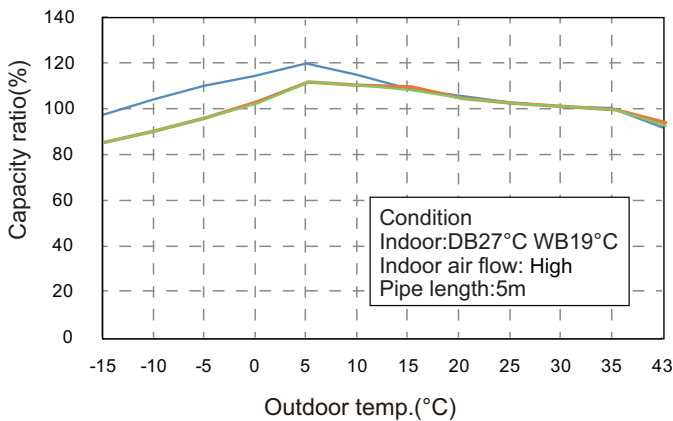


Heating

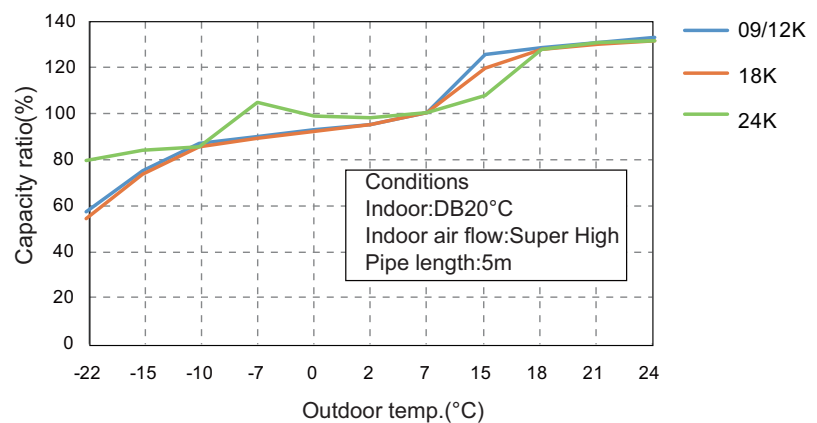


Heating operation ambient temperature range is -22°C~24°C

Cooling

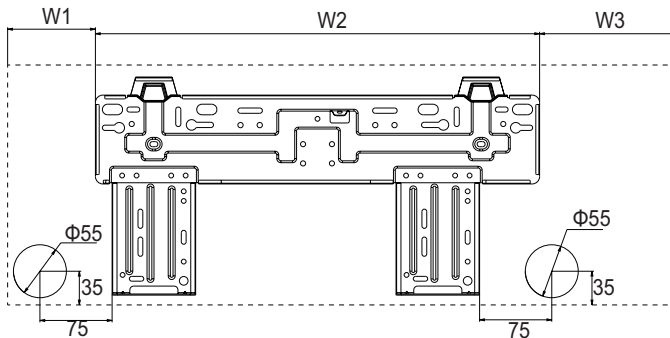
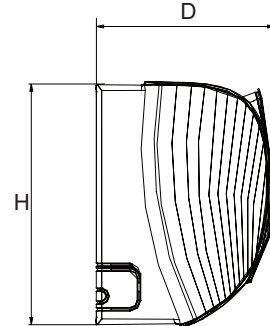
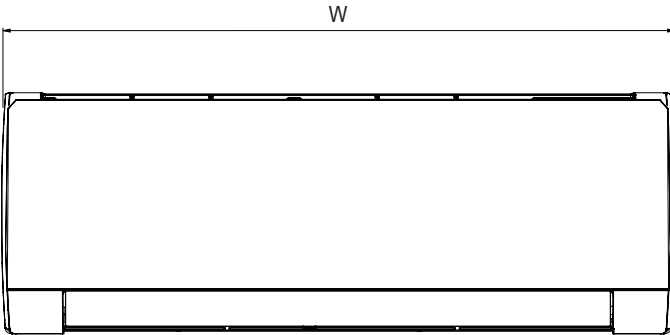


Heating

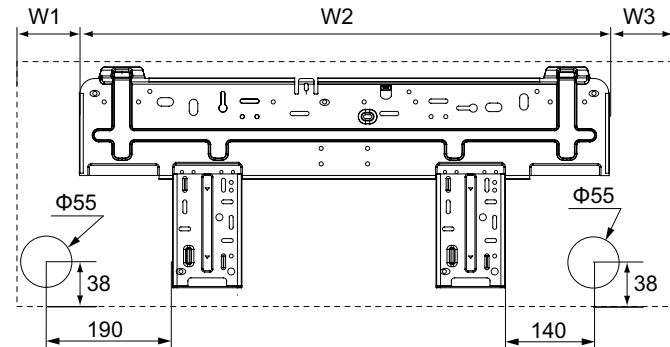


3. Outline Dimension Diagram

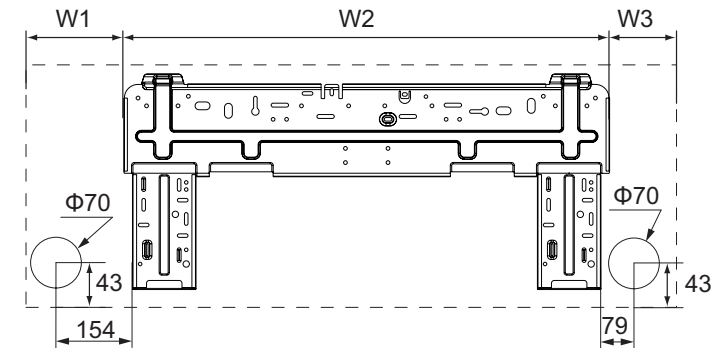
3.1 Indoor Unit



09/12K



18K



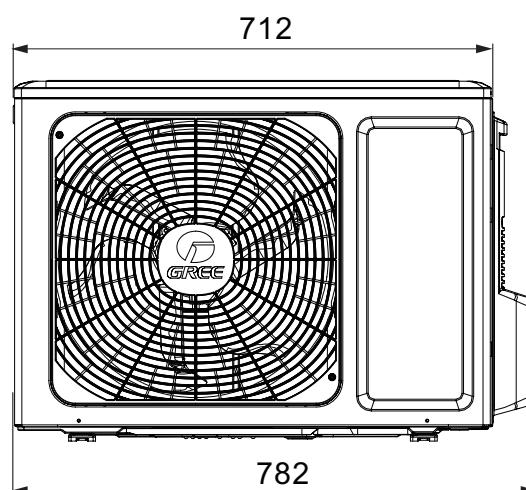
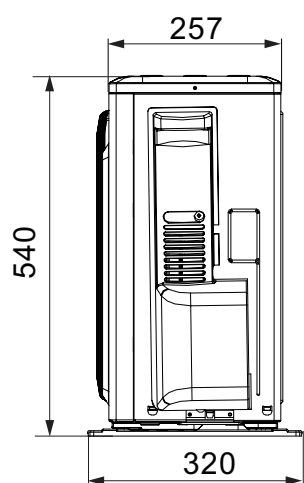
24K

Unit:mm

Unit:mm

Models	W	H	D	W1	W2	W3
09/12K	889	294	212	201.5	541.5	146
18K	1013	307	221	125.5	685	202.5
24K	1122	329	247	207	685	230

09K



Unit:mm

